

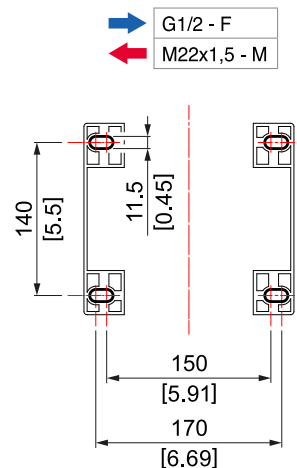
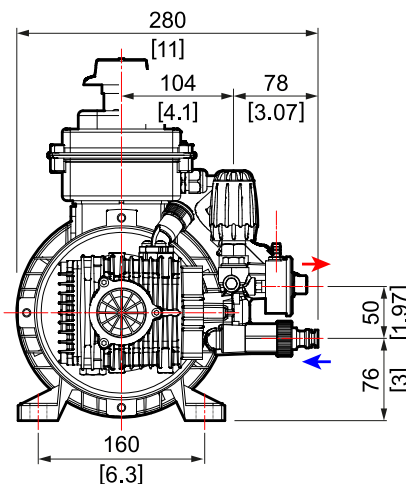
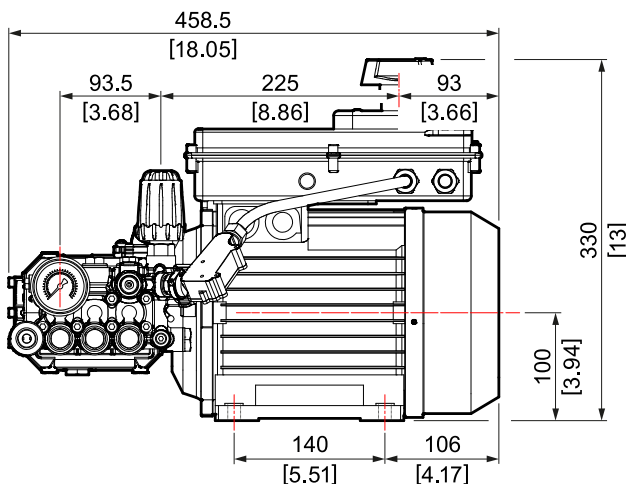


# MTP LW-K 250



Code Codice Codigo	Model Modello Modelo	TSR														
			rpm	l/min	US gpm	bar	psi	Mpa	Hz	V	HP	HP	kW	MEC	kg	lb
7301 0860	MTP LW-K 11/110		1450	11,0	2,9	110	1600	11,0	50	230 - 1	3,0	3,9	2,9	100	32,0	70,5
7301 0861	MTP LW-K 15/150		1450	15,0	4,0	150	2175	15,0	50	230 / 400 - 3	5,5	6,7	5,0	100	32,0	70,5
7301 0754	MTP LW-K 9/130	✓	1450	9,0	2,4	130	1900	13,0	50	230 - 1	3,0	3,9	2,9	100	35,0	77,1
7301 0756	MTP LW-K 10/140	✓	1450	10,0	2,6	140	2030	14,0	50	230 - 1	3,5	4,4	3,3	100	35,0	77,1
7301 0755	MTP LW-K 11/110	✓	1450	11,0	2,9	110	1600	11,0	50	230 - 1	3,0	3,9	2,9	100	35,0	77,1
7301 0783	MTP LW-K 12/100	✓	1450	12,0	3,1	100	1450	10,0	50	230 - 1	3,0	3,9	2,9	100	35,0	77,1
7301 0759	MTP LW-K 11/190	✓	1450	11,0	2,9	190	2750	19,0	50	400 - 3	5,5	6,7	5,0	100	35,0	77,1
7301 0757	MTP LW-K 13/170	✓	1450	13,0	3,4	170	2465	17,0	50	400 - 3	5,5	6,7	5,0	100	35,0	77,1
7301 0758	MTP LW-K 15/150	✓	1450	15,0	4,0	150	2175	15,0	50	400 - 3	5,5	6,7	5,0	100	35,0	77,1

## MEC 100 - TSR VERSION



On request available 440V - 60Hz versions. / Disponibili su richiesta versioni a 440V - 60Hz. / Bajo pedido disponible en versiones 440V - 60Hz.

Contact us for NO-TSR version drawings. / I disegni per le versioni senza TSR sono disponibili su richiesta. / Contactar para los dibujos de las versiones sin TSR.



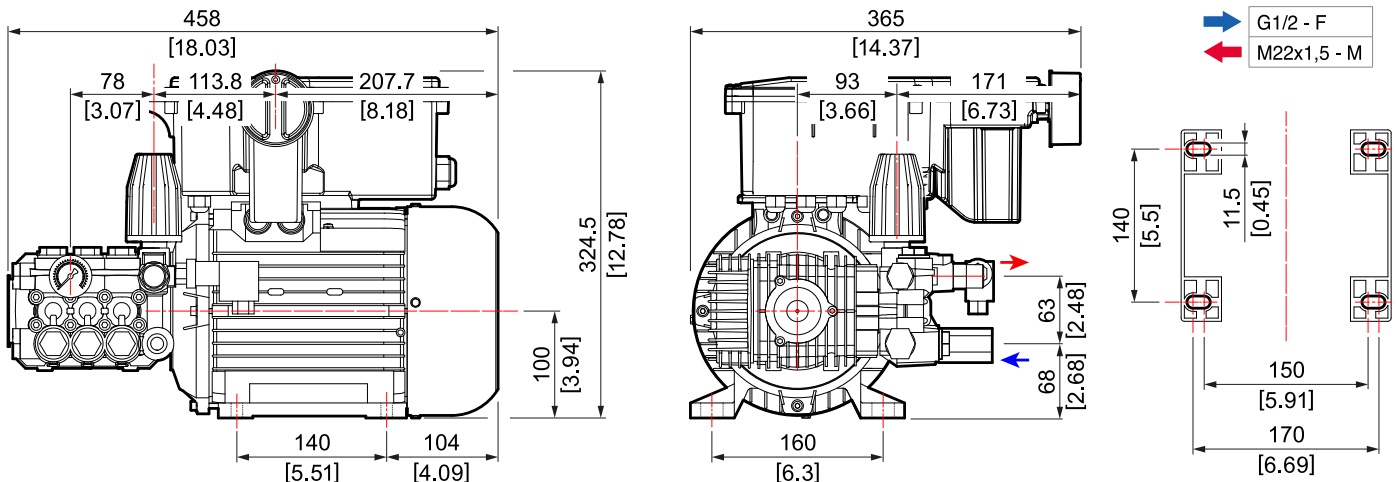
# MTP ZW-K



**TotalStop  
TSR**

Code Codice Codigo	Model Modello Modelo	TSR														
			rpm	l/min	US gpm	bar	psi	Mpa	Hz	V	HP	HP	kW	Mec	kg	lb
7301 0538	MTP ZW-K 11/120	✓	1450	11,0	2,9	120	1740	12,0	50	230 - 1	3,0	3,9	2,9	100	32,5	71,5
7301 0537	MTP ZW-K 13/180	✓	1450	13,0	3,4	180	2610	18,0	50	400 - 3	5,5	6,7	5,0	100	32,5	71,5
7301 0536	MTP ZW-K 15/160	✓	1450	15,0	4,0	160	2320	16,0	50	400 - 3	5,5	6,7	5,0	100	32,5	71,5

## MEC 100 - TSR VERSION



On request available 440V - 60Hz versions. / Disponibili su richiesta versioni a 440V - 60Hz. / Bajo pedido disponible en versiones 440V - 60Hz.



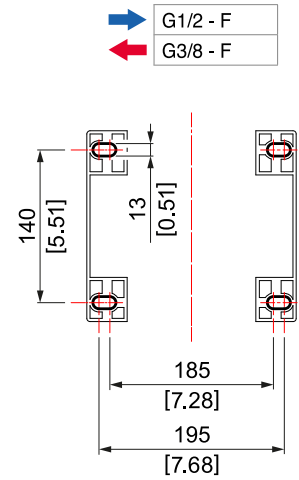
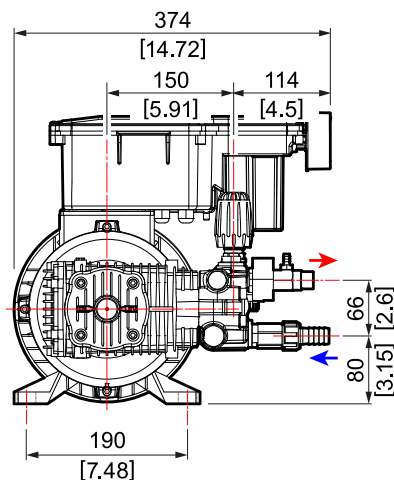
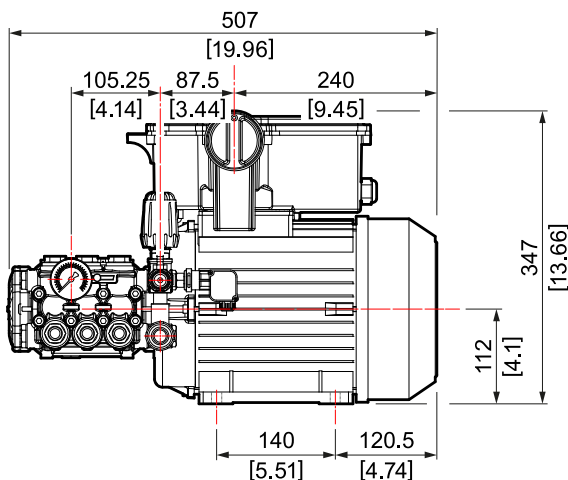
# MTP FW2



**TotalStop  
TSR**

Code Codice Codigo	Model Modello Modelo	TSR														
			rpm	l/min	US gpm	bar	psi	Mpa	Hz	V	HP	HP	kW	Mec	kg	lb
7301 0846	MTP FW2 13/180		1450	13,0	3,4	180	2610	18,0	50	230 / 400 - 3	5,5	6,7	5,0	100	37,0	81,6
7301 0847	MTP FW2 15/150		1450	15,0	4,0	150	2175	15,0	50	230 / 400 - 3	5,5	6,7	5,0	100	37,0	81,6
7301 0848	MTP FW2 15/200		1450	15,0	4,0	200	2900	20,0	50	230 / 400 - 3	7,5	9,3	6,9	112	42,0	92,6
7301 0849	MTP FW2 21/150		1450	21,0	5,6	150	2175	15,0	50	230 / 400 - 3	7,5	9,3	6,9	112	42,0	92,6
7301 0850	MTP FW2 13/180	✓	1450	13,0	3,4	180	2610	18,0	50	400 - 3	5,5	6,7	5,0	100	40,0	88,2
7301 0851	MTP FW2 15/150	✓	1450	15,0	4,0	150	2175	15,0	50	400 - 3	5,5	6,7	5,0	100	40,0	88,2
7301 0852	MTP FW2 15/200	✓	1450	15,0	4,0	200	2900	20,0	50	400 - 3	7,5	9,3	6,9	112	45,0	99,2
7301 0853	MTP FW2 21/150	✓	1450	21,0	5,6	150	2175	15,0	50	400 - 3	7,5	9,3	6,9	112	45,0	99,2

## MEC 112 - TSR VERSION



On request available 440V - 60Hz versions. / Disponibili su richiesta versioni a 440V - 60Hz. / Bajo pedido disponible en versiones 440V - 60Hz.

Contact us for NO-TSR & MEC100 version drawings. / I disegni per le versioni senza TSR & MEC100 sono disponibili su richiesta. / Contactar para los dibujos de las versiones sin TSR & MEC100.



# MTP RW



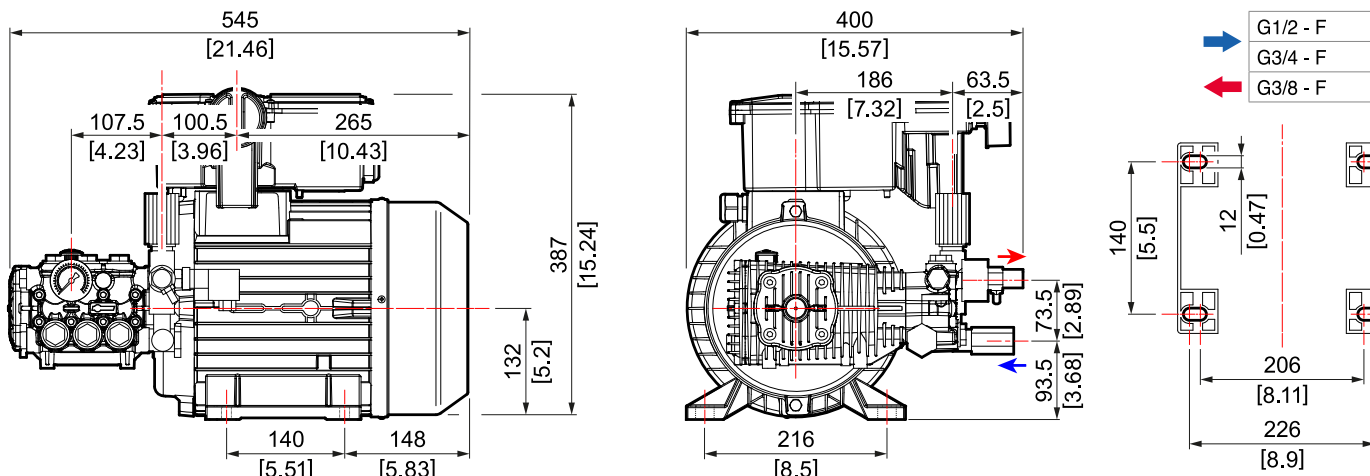
PREMIUM



**TotalStop  
TSR**

Code Codice Codigo	Model Modello Modelo	TSR														
			rpm	l/min	US gpm	bar	psi	Mpa	Hz	V	HP	HP	kW	Mec	kg	lb
7301 0609	MTP RW 15/170		1450	15,0	4,0	170	2465	17,0	50	230 / 400 - 3	6,0	7,4	5,5	112	46,0	101,4
7301 0653	MTP RW 15/210		1450	15,0	4,0	210	3045	21,0	50	230 / 400 - 3	7,5	9,3	6,9	112	47,0	130,6
7301 0655	MTP RW 15/230		1450	15,0	4,0	230	3335	23,0	50	230 / 400 - 3	9,0	10,0	7,5	112	48,0	105,8
7301 0854	MTP RW 16/250		1450	16,0	4,2	250	3626	25,0	50	230 / 400 - 3	10,0	11,4	8,5	132	49,0	108,0
7301 0654	MTP RW 21/160		1450	21,0	5,6	160	2320	16,0	50	230 / 400 - 3	7,5	9,3	6,9	112	47,0	103,6
7301 0656	MTP RW 21/180		1450	21,0	5,6	180	2610	18,0	50	230 / 400 - 3	9,0	10,0	7,5	112	48,0	105,8
7301 0657	MTP RW 21/200		1450	21,0	5,6	200	2900	20,0	50	230 / 400 - 3	10,0	11,4	8,5	132	49,0	108,0
7301 0531	MTP RW 15/170	✓	1450	15,0	4,0	170	2465	17,0	50	400 - 3	6,0	7,4	5,5	112	47,0	103,6
7301 0532	MTP RW 15/210	✓	1450	15,0	4,0	210	3045	21,0	50	400 - 3	7,5	9,3	6,9	112	48,0	105,8
7301 0534	MTP RW 15/230	✓	1450	15,0	4,0	230	3335	23,0	50	400 - 3	9,0	10,0	7,5	112	49,0	108,0
7301 0743	MTP RW 16/250	✓	1450	16,0	4,2	250	3626	25,0	50	400 - 3	10,0	11,4	8,5	132	50,0	110,0
7301 0533	MTP RW 21/160	✓	1450	21,0	5,6	160	2320	16,0	50	400 - 3	7,5	9,3	6,9	112	48,0	105,8
7301 0535	MTP RW 21/180	✓	1450	21,0	5,6	180	2610	18,0	50	400 - 3	9,0	10,0	7,5	112	49,0	108,0
7301 0630	MTP RW 21/200	✓	1450	21,0	5,6	200	2900	20,0	50	400 - 3	10,0	11,4	8,5	132	50,0	110,2

## MEC 132 - TSR VERSION



Contact us for NO-TSR & MEC112 version drawings. / I disegni per le versioni senza TSR & MEC112 sono disponibili su richiesta. / Contactar para los dibujos de las versiones sin TSR & MEC112.



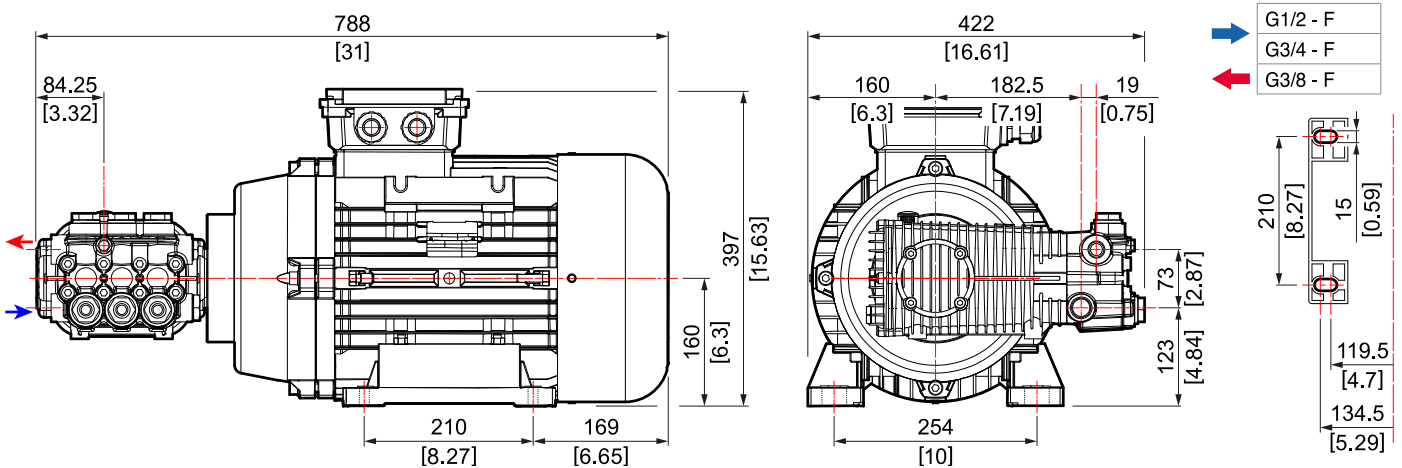
# MTP TW

PREMIUM



Code Codice Codigo	Model Modello Modelo														
		rpm	l/min	US gpm	bar	psi	Mpa	Hz	V	HP	HP	kW	Mec	kg	lb
* 7301 0855	MTP TW 18/350	1450	18,0	4,7	350	5076	35,0	50	230 / 400 - 3	15,0	16,1	12,0	132	75,0	165,3
* 7301 0856	MTP TW 21/350	1450	21,0	5,6	350	5076	35,0	50	400 / 690 - 3	20,0	20,1	15,0	160 M	120,0	264,5

## MEC 160 M



\* For connection kit see page 105 / \* Per kit di connessione vedere pagina 105 / \* Para los kit de conexión referirse a pagina 105

Contact us for MEC132 version drawings. / I disegni per le versioni MEC132 sono disponibili su richiesta. / Contactar para los dibujos de las versiones MEC132.





# MTP TW 500

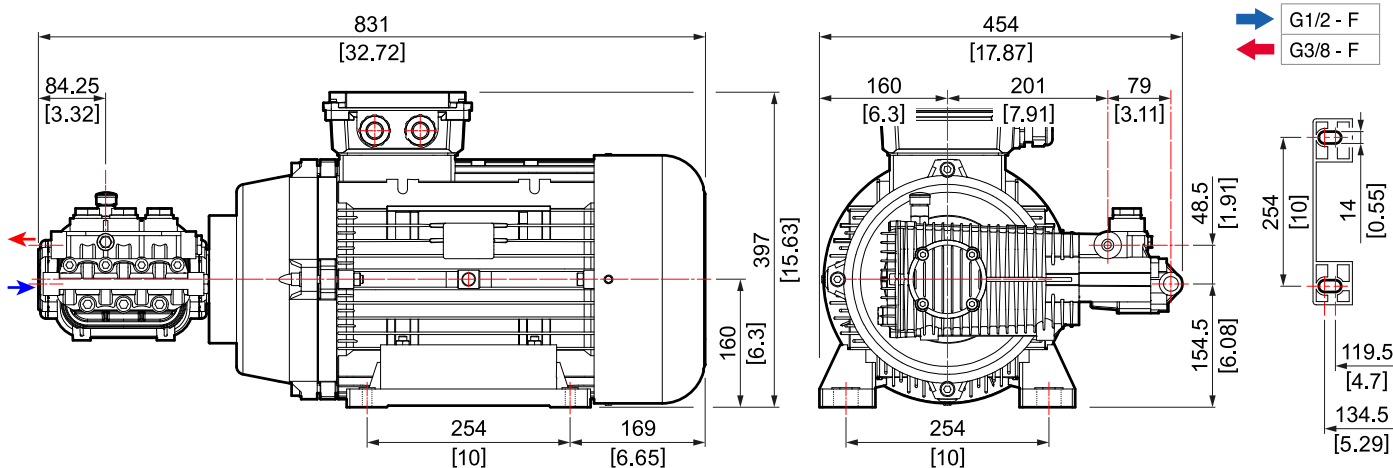
PREMIUM



Code Codice Codigo	Model Modello Modelo														
		rpm	l/min	US gpm	bar	psi	Mpa	Hz	V	HP	HP	kW	Mec	kg	lb
* 7301 0857	MTP TW 15/500	1450	15	4	500	7252	50	50	400 / 690 - 3	20,0	20,1	15,0	160 M	123,0	271,1
* 7301 0858	MTP TW 21/500	1450	21	5,6	500	7252	50	50	400 / 690 - 3	30,0	30,8	23,0	160 L	128,0	282,2

Motor-pump coupling with a flexible joint (integrated on motor). / Accoppiamento motore-pompa mediante giunto elastico (integrato nel motore). / Acoplamiento bomba-motor mediante junta elástica (integrada en el motor)

## MEC 160 L



\* For connection kit see page 105 / \* Per kit di connessione vedere pagina 105 / \* Para los kit de conexión referirse a pagina 105